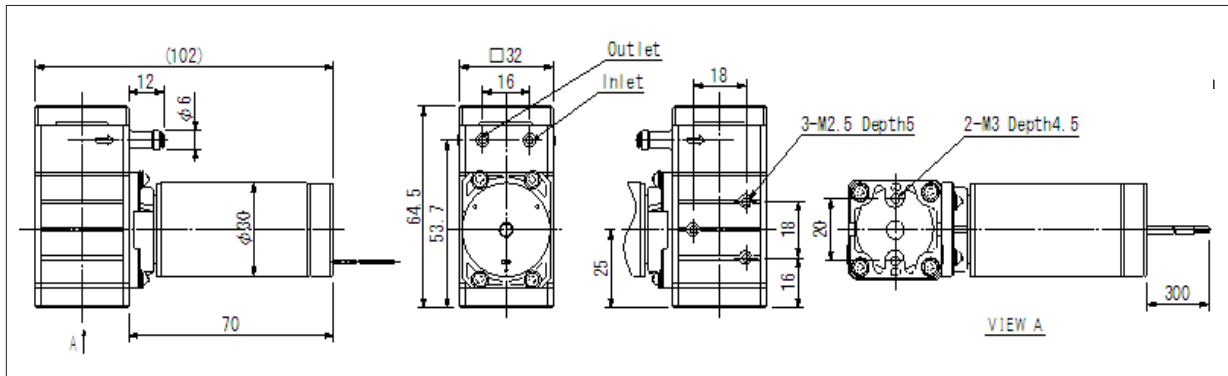


**PUMP SERIES**

**7038**

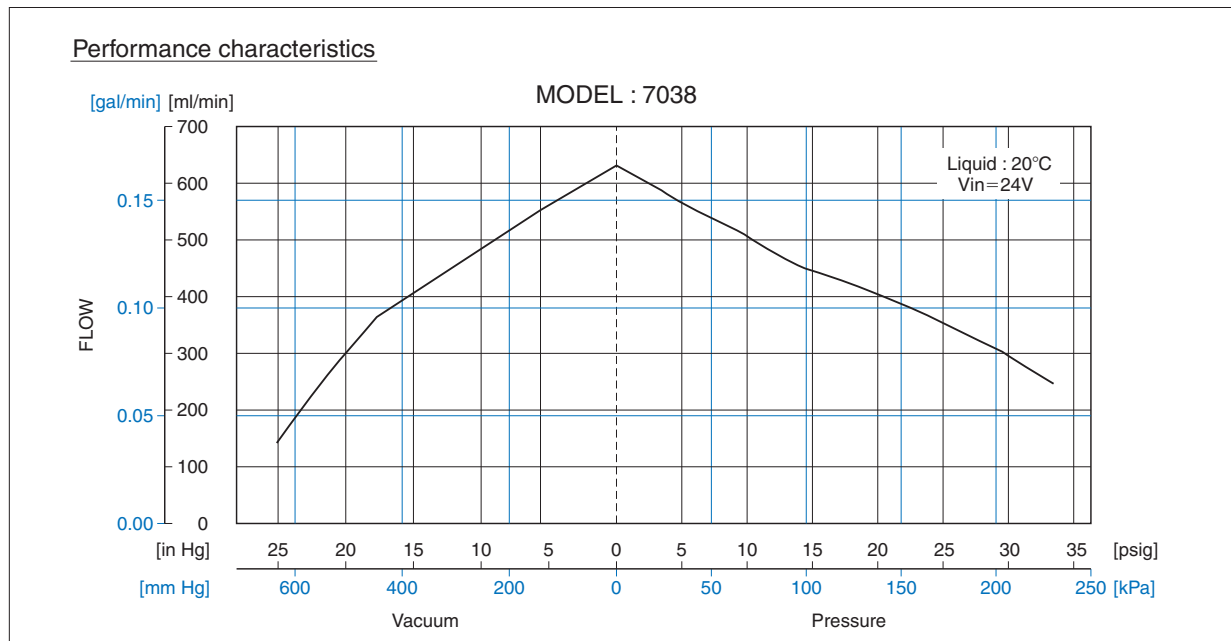
Micro Diaphragm Liquid Pump



**Ordering number**

|                             |                        |        |
|-----------------------------|------------------------|--------|
|                             | 7038                   |        |
| Nominal voltage             | 24                     | V      |
| Motor type                  | Namiki DC Brushless    |        |
| Drive circuit type          | Integrated Sensorless  |        |
| Maximum flow rate           | 630                    | ml/min |
| Nominal current consumption | 370                    | mA     |
| Exhaust pressure range      | 0...+100               | kPa    |
| Suction pressure range      | -375...0 (-50...0 kPa) | mm Hg  |

Performance characteristics



**Options:**

For special solutions or different wetted materials, please contact our sales division.

|                 |      |
|-----------------|------|
| Ordering number | 7048 |
| Diaphragm       | PTFE |

General Specifications

|                           |          |    |
|---------------------------|----------|----|
| Ambient temperature range | +5...+50 | °C |
| Fluid temperature         | +5...+50 | °C |
| Rubber material           | FKM      |    |
| Resin material            | PFA, POM |    |

Conditions: Data displayed in this datasheet are measured with purified water at 20° C using a Toalon-G tube of 4 mm internal (6mm external) diameter and 160cm length using Namiki standard test equipment.