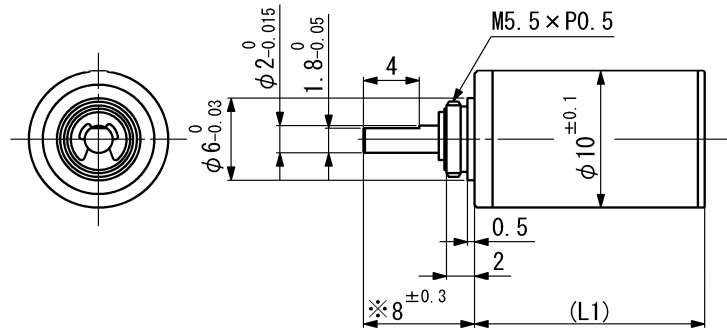


SPG10

Planetary gearhead



Dimension in mm

Note) Dimension marked ⊛ is measured with shaft pushed against gearhead.

For combination with motors: SCL10-18, SCL10-30

General specifications

| | SPG10 | |
|---|--------------------------|-----|
| Housing material | Metal | |
| Geartrain material | Steel | |
| Recommended max. input speed | 10000 | rpm |
| Operating temperature range | -10...+60 | °C |
| Backlash at no-load per stage | ≤ 1 | ° |
| Bearings on output shaft | Sintered sleeve bearings | |
| Max. shaft radial load (6 mm from flange) | 3 | N |
| Max. shaft axial load | 1 | N |
| Max. shaft press fit force | 20 | N |
| Shaft radial play | ≤ 0.03 | mm |
| Shaft axial play | ≤ 0.3 | mm |

| Ratio (nominal) | Stage | Gearhead length, L1 [mm] | Gearhead weight [g] | Max. allowable torque [mNm] | | Length with motor [mm] | | | | Efficiency [%] | Direction of rotation | |
|-----------------|-------|--------------------------|---------------------|-----------------------------|--------------|------------------------|----------|--|--|----------------|-----------------------|---|
| | | | | Continuous | Intermittent | SCL10-18 | SCL10-30 | | | | | |
| 3.6 : 1 | 1 | 10.5 | 5.8 | 50 | 100 | 28.6 | 40.7 | | | | 85 | = |
| 4.7 : 1 | 1 | 10.5 | 5.8 | 50 | 100 | 28.6 | 40.7 | | | | 85 | = |
| 13 : 1 | 2 | 13.5 | 7.1 | 50 | 100 | 31.6 | 43.7 | | | | 72 | = |
| 22 : 1 | 2 | 13.5 | 7.1 | 50 | 100 | 31.6 | 43.7 | | | | 72 | = |
| 61 : 1 | 3 | 16.5 | 8.4 | 50 | 100 | 34.6 | 46.7 | | | | 61 | = |
| 105 : 1 | 3 | 16.5 | 8.4 | 50 | 100 | 34.6 | 46.7 | | | | 61 | = |
| 288 : 1 | 4 | 19.6 | 9.7 | 50 | 100 | 37.7 | 49.8 | | | | 52 | = |
| 494 : 1 | 4 | 19.6 | 9.7 | 50 | 100 | 37.7 | 49.8 | | | | 52 | = |

V01

Namiki Precision Jewel Co.,Ltd

TEL: +81-3-5390-7619 FAX: +81-3-5390-8082

URL: www.namiki.net/

E-mail: kboinfo@namiki.net

Specifications subject to change without notice