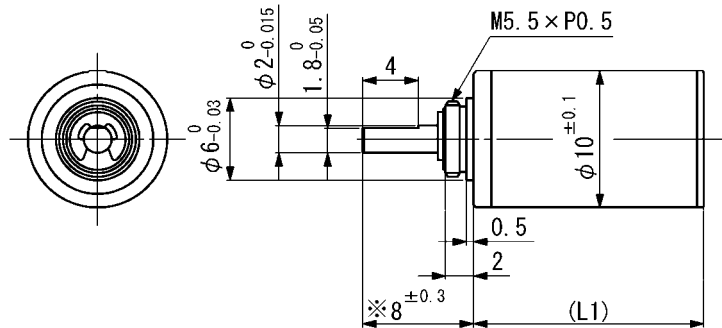


SPG10

Planetary gearhead



Dimension in mm

Note) Dimension marked ※ is measured with shaft pushed against gearhead.

For combination with motors: SCL10-18, SCL10-30

General specifications

	SPG10	
Housing material	Metal	
Geartrain material	Steel	
Recommended max. input speed	10000	rpm
Operating temperature range	-10...+60	°C
Backlash at no-load per stage	≤ 1	°
Bearings on output shaft	Sintered sleeve bearings	
Max. shaft radial load (6 mm from flange)	3	N
Max. shaft axial load	1	N
Max. shaft press fit force	20	N
Shaft radial play	≤ 0.03	mm
Shaft axial play	≤ 0.3	mm

Ratio (nominal)	Stage	Gearhead length, L1 [mm]	Gearhead weight [g]	Max. allowable torque [mNm]		Length with motor [mm]				Efficiency [%]	Direction of rotation	
				Continuous	Intermittent	SCL10-18	SCL10-30					
3.6 : 1	1	10.5	5.8	50	100	28.6	40.5				85	=
4.7 : 1	1	10.5	5.8	50	100	28.6	40.5				85	=
13 : 1	2	13.5	7.1	50	100	31.6	43.5				72	=
22 : 1	2	13.5	7.1	50	100	31.6	43.5				72	=
61 : 1	3	16.5	8.4	50	100	34.6	46.5				61	=
105 : 1	3	16.5	8.4	50	100	34.6	46.5				61	=
288 : 1	4	19.6	9.7	50	100	37.7	49.6				52	=
494 : 1	4	19.6	9.7	50	100	37.7	49.6				52	=