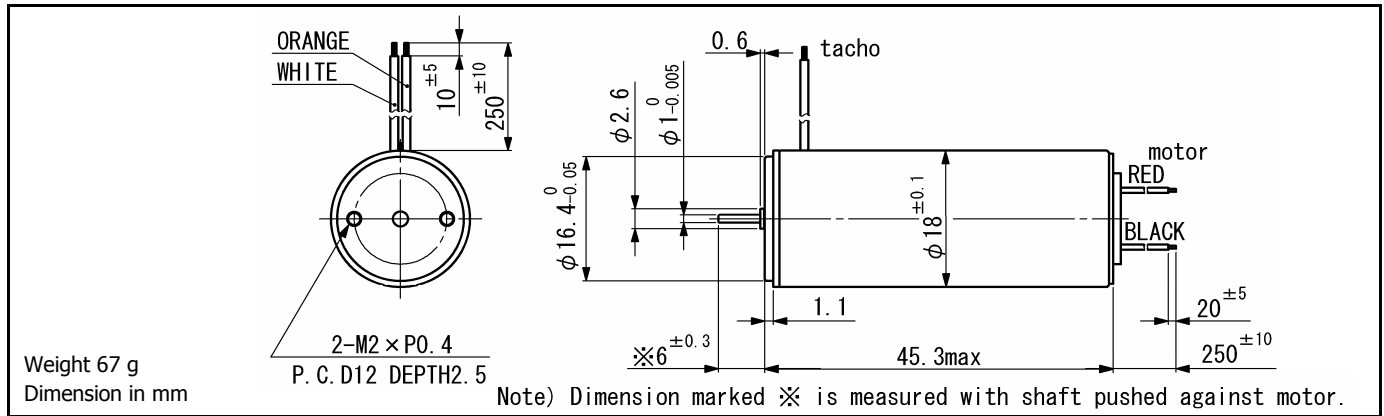


SCL18-44

Precious metal commutation



For combination with gearhead: SSG18

| Ordering number | SCL18 | | | | | -4405T |
|-----------------------|-----------------|--|--|--|--|-----------------------|
| | Nominal voltage | | | | | |
| Terminal resistance | | | | | | 5.1 Ω |
| Output power | | | | | | 3.1 W |
| No-load speed | | | | | | 9450 rpm |
| No-load current | | | | | | 13 mA |
| Stall torque | | | | | | 12.5 mNm |
| Friction torque | | | | | | 0.1 mNm |
| Back-EMF constant | | | | | | 0.84 mV/rpm |
| Torque constant | | | | | | 8.01 mNm/A |
| Motor coil inductance | | | | | | 0.083 mH |
| Rotor inertia | | | | | | 1.73 gcm ² |

Continuous operation

| | | | | | | |
|-------------------------|--|--|--|--|--|---------|
| Max. recommended torque | | | | | | 3.9 mNm |
|-------------------------|--|--|--|--|--|---------|

Tachogenerator

| | | | | | | |
|----------------------------------|--|--|------|--|--|--------|
| EMF constant | | | 0.7 | | | mV/rpm |
| Recommended min. load resistance | | | 10 | | | kΩ |
| Terminal resistance | | | 48.8 | | | Ω |
| Max. ripple peak to peak | | | 5 | | | % |

General specifications

| | | | | | | |
|-------------------------------|--|--|-----------------|--|--|----|
| Operating temperature | | | -20...60 | | | °C |
| Max. coil temperature | | | 80 | | | °C |
| Shaft bearing | | | Sleeve bearings | | | |
| Max. shaft radial load | | | 1.2 (5 mm) | | | N |
| Max. shaft axial load | | | 0.2 | | | N |
| Max. axial load at standstill | | | 9.8 | | | N |
| Shaft radial play | | | 0.05 | | | mm |
| Shaft axial play | | | 0.03...0.2 | | | mm |

V01

Namiki Precision Jewel Co.,Ltd

TEL: +81-3-5390-7620 FAX: +81-3-5390-8082

URL: www.namiki.net/

E-mail: kbinfo@namiki.net

Specifications subject to change without notice